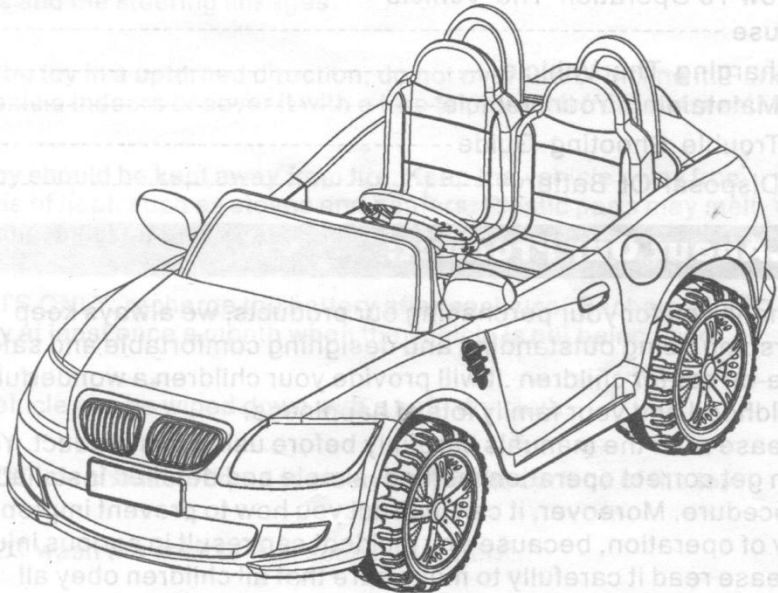


# CHILDREN'S ELECTRONIC TOY CAR OPERATION INSTRUCTIONS

**Please read this manual in detail before using**



- Suitable for age 3+ years.
- Always wear helmet when riding.
- Your new vehicle requires adult assembly.
- Charging the battery can only be operated by adult all times.
- This toy is equipped with a safety isolating transformer. Cable, cord and plug should be examined before using.
- Please keep this manual for future reference as it contains.

**Have already implemented ISO9001:2000 authentication**

## Table of contents

1. About Our Product -----
2. The Specification -----
3. Parts -----
4. Cautions For Safety -----
5. Parts Diagram -----
6. Assembly Steps -----
7. How To Operation The Vehicle -----
8. Fuse -----
9. Charging The Vehicle -----
10. Maintaining Your Vehicle -----
11. Trouble Shooting Guide -----
12. Disposal Of Battery -----

### 1. About Our Product:

Thank you for your purchasing our products, we always keep pursuing being outstanding and designing comfortable and safe ride-on car for children .it will provide your children a wonderful childhood and your family lots of happiness.


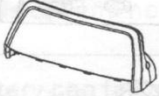
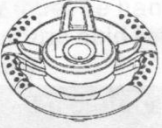



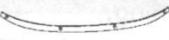



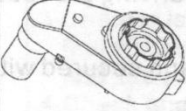



Please read the manuals carefully before using this product. You can get correct operation method, simple and detailed installation procedure. Moreover, it can instruct you how to prevent improper way of operation, because any incident can result in serious injury.

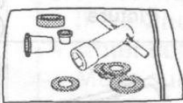
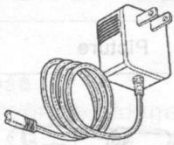

Please read it carefully to make sure that all children obey all warning, cautions, instructs and safety topics and assure young riders are able to safely use this product.

### 2. The Specification

Suitable age:	3+ Years	Battery:	120V 10AH *1
Load Capacity:	Under 40KGS	Size of car:	142*78*62CM
Speed:	3~6KM/H	Power way:	Charging type
Charge:	Input: depend on local voltage Output: DC 12V500mA	Average battery life:	Approximately 300 times
Charge time:	8-12 Hours	Fuse	F 18A and 7A

### 3.Parts list

Part NO.	Part name	Picture	Q'ty (pcs)	REMARKS	Part NO.	Part name	Picture	Q'ty (pcs)	REMARKS
1	Vehicle body		1		2	Window		1	
3	Steering wheel		1		4	Seat		2	
5	Driving wheel		2		6	Front wheel		2	
7	Bonnet support		1		8	View mirror		One pair	
9	Rear axle		1		10	Steering column		1	
11	Gear box		2	One marked "R", another one marked "L"	12	Gear box cover		1	Fixed on the vehicle body
13	Bonnet		1		14	Cap nut		4	

Part NO.	Part name	Picture	Q'ty (pcs)	REMARKS	Part NO.	Part name	Picture	Q'ty (pcs)	REMARKS
15	Tool package		1		16	Charger		1	
17	Backrest		One pair						

## 4. Cautions for safety

1. While riding, adult supervision is required at all times.
2. Always wear a helmet when riding.
3. Do not drive near roads or on the footpath.
5. It is not recommended to ride this vehicle on sandy or soft surfaces.
4. It is not recommended to drive the vehicle on wet surfaces or on lopes of greater than 15 degrees.
6. Do not use this vehicle outdoors when it is raining.
7. Make sure you come to a complete stop before changing directions from forward to back.
8. Don't allow children to operate the charger or play with the battery.
9. Clean the vehicle with a dry cloth only.
10. Please follow the correct weight and age limits allowed to drive this vehicle.
11. It is prohibited to change the circuit or add other electric parts.
12. Adults must teach their children about safe driving procedures.
13. Please cut off the power when stop diving.
14. Check the seat. Whether it has been fitted and secured with a bolt before driving.
15. Inspect wires and connections of the vehicle periodically.
16. Charging the battery should only be done by adults.
17. Charging plug is located underneath the seat.  
Check all wire plugs and connections periodically.
18. In order to avoid accidents, please ensure the vehicle is safe before riding.
19. Do not let any child touch the wheels or be near them when the car is moving .

# 5. Parts diagram

**Note :** some parts shown are assembled on both sides of vehicle

### Tools Required

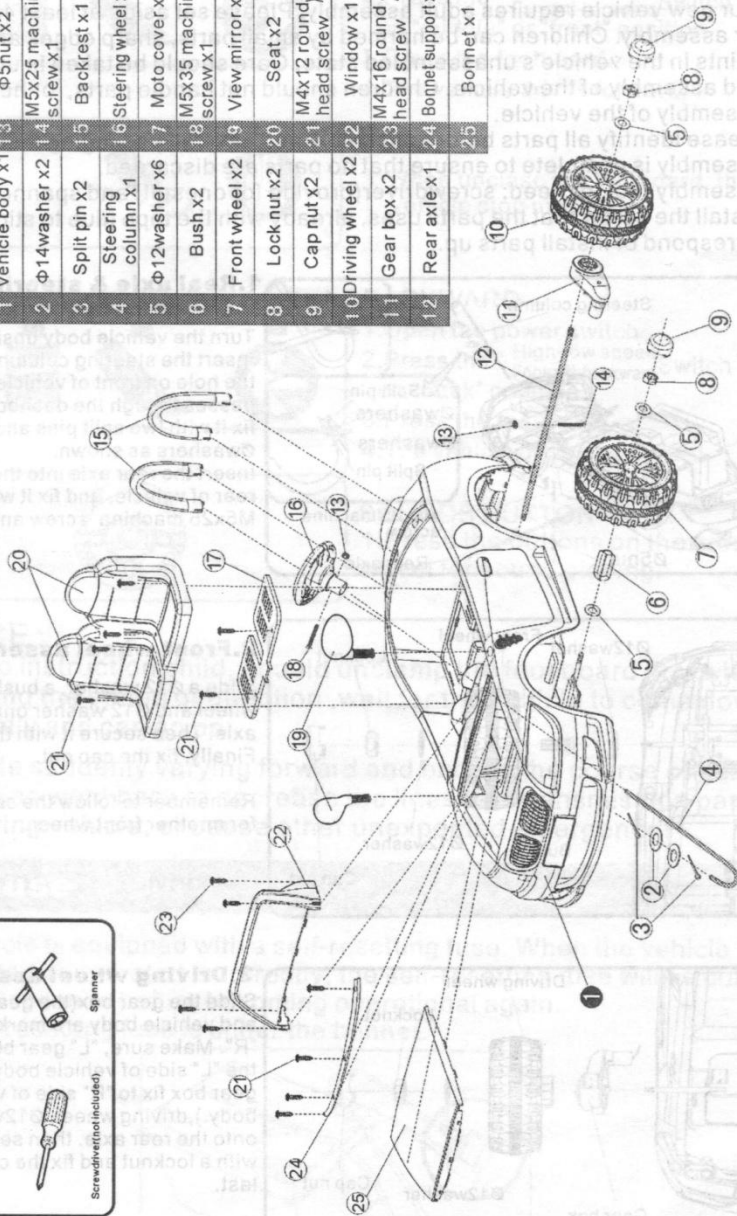


Screwdriver(not included)



Spanner

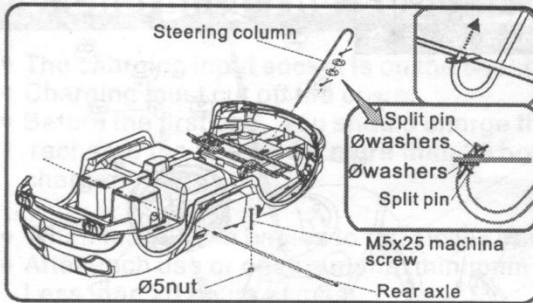
1	Vehicle body x1	13	Φ5nut x2
2	Φ14washer x2	14	M5x25 machina screw x1
3	Split pin x2	15	Backrest x1
4	Steering column x1	16	Steering wheel x1
5	Φ12washer x6	17	Moto cover x1
6	Bush x2	18	M5x35 machina screw x1
7	Front wheel x2	19	View mirror x2
8	Lock nut x2	20	Seat x2
9	Cap nut x2	21	M4x12 round head screw x10
10	Driving wheel x2	22	Window x1
11	Gear box x2	23	M4x16 round head screw x4
12	Rear axle x1	24	Bonnet support x1
		25	Bonnet x1





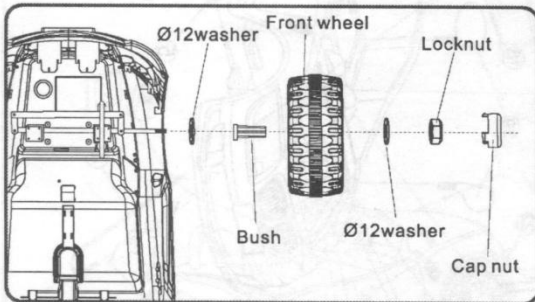
## 6. Assembly Steps

- Your new vehicle requires adult assembly. Please set aside at least 40 minutes for assembly. Children can be harmed by small parts, sharp edges and sharp points in the vehicle's unassembled state. Care should be taken in unpacking and assembly of the vehicle. Children should not handle parts, or help in assembly of the vehicle.
- Please identify all parts before assembly and save all packaging material until assembly is complete to ensure that no parts are discarded.
- Assembly tool for need: screwdriver (provide for oneself) and spanner.
- Install the screw that the parts uses, already with the tape glue to stick at correspond of install parts up.



### 1. Real axle & steering column assembly

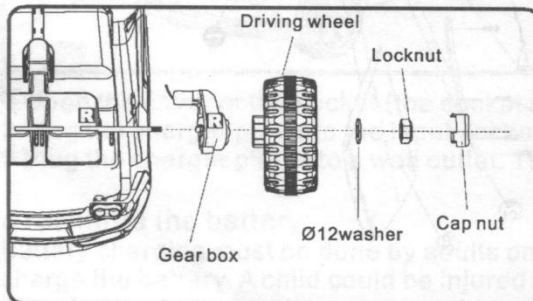
Turn the vehicle body upside down. Insert the steering column through the hole on front of vehicle until it passes through the dashboard, then fix it with two split pins and Øwashers as shown. Insert the rear axle into the hole on rear of vehicle, and fix it with a M5x25 machina screw and a Ø5nut.



### 2. Front wheel assembly

Slide a Ø12 washer, a bush, front wheel and Ø12 washer onto the axle. Then secure it with the locknut. Finally, fix the cap nut.

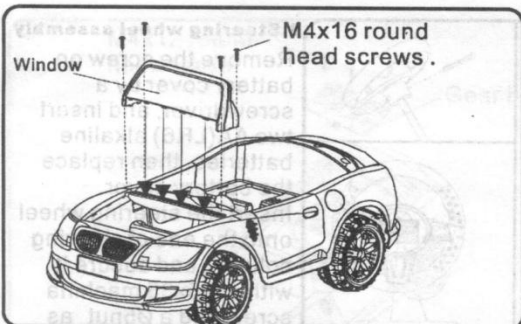
Remember to follow the same steps for another front wheel.



### 3. Driving wheel assembly

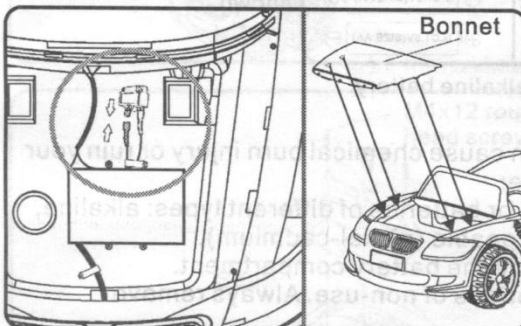
Slide the gear box (the gear boxes and vehicle body are marked "L" and "R". Make sure, "L" gear box fix to the "L" side of vehicle body; "R" gear box fix to "R" side of vehicle body.), driving wheel, Ø12washer onto the rear axle. then secure them with a locknut and fix the cap nut at last.

Remember to follow the same steps for another driving wheel.



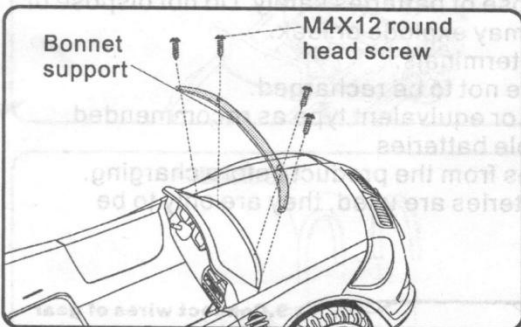
#### 4. Window assembly

Turn the vehicle body over.  
Fix the window to the vehicle body.  
Then secure it with four M4x16 round head screws .



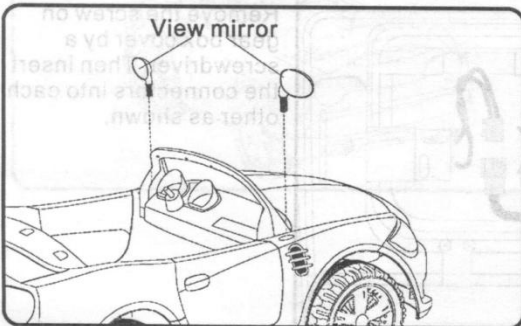
#### 5. Bonnet assembly

Plug the connectors as shown.  
Fix the bonnet to the vehicle body as shown.



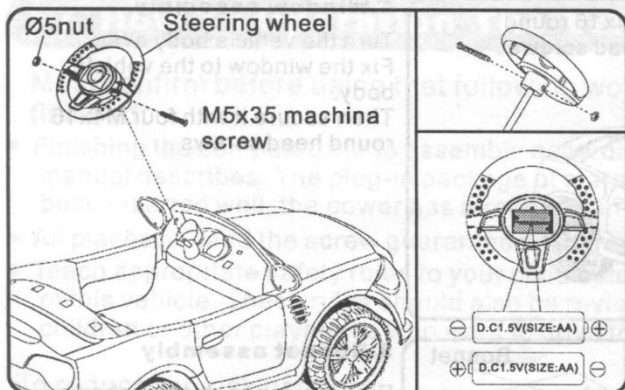
#### 6. Bonnet support assembly

Fix the bonnet support onto the end of bonnet, and secure it with four M4x12 round head screws.



#### 7. View mirror assembly

As show, "Snap" the tab on view mirror into the hole on vehicle body.



### 8. Steering wheel assembly

Remove the screw on battery cover by a screwdriver, and insert two AA(LR6) alkaline batteries, then replace the battery cover. Insert the steering wheel onto the end of steering column, and secure it with a M5x35 machina screw and a Ø5nut as shown.

NOTE: The product didn't provide alkaline battery

### Battery information

Batteries may leak fluids that can cause chemical burn injury or ruin your product. To avoid battery leakage:

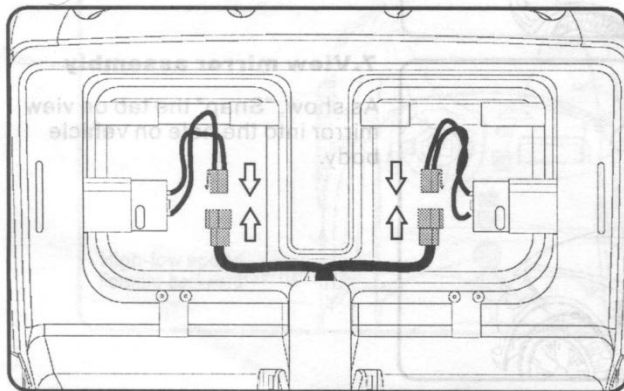
Do not mix old and new batteries or batteries of different types: alkaline, standard (carbon-zinc) or rechargeable (nickel-cadmium).

Insert batteries as indicated inside the battery compartment.

Remove batteries during long periods of non-use. Always remove exhausted

batteries from the product. Dispose of batteries safely. Do not dispose of batteries in a fire. The batteries may explode or leak.

- Never short-circuit the battery terminals.
- Non-rechargeable batteries are not to be recharged.
- Use only batteries of the same or equivalent type as recommended.
- Do not charge non-rechargeable batteries.
- Remove rechargeable batteries from the product before charging.
- If removable rechargeable batteries are used, they are only to be charged.



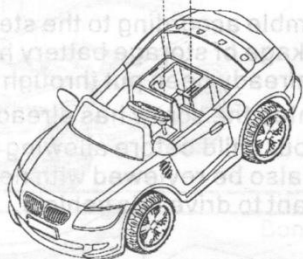
### 9. Connect wires of gear box

Remove the screw on gear box cover by a screwdriver. Then insert the connectors into each other as shown.



M4x12 round  
head screw

Gear box cover

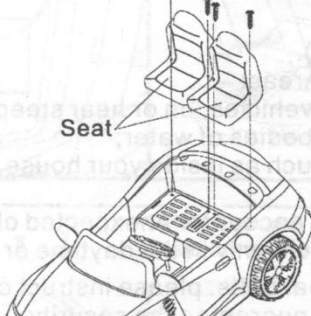


### 10. Replace the gear box cover

Install the gear box cover to the proper position of vehicle body. Then insert two M4x12 round head screws and tighten them by a screwdriver.

M4x12 round  
head screw

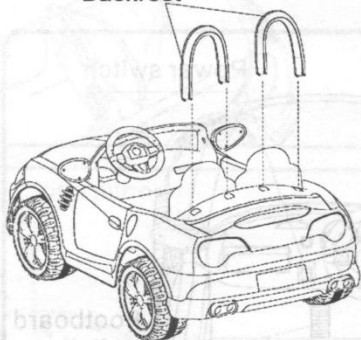
Seat



### 11. Seat assembly

Install the seats on top of gear box cover. Then secure both seat with two M4x12 round head screws.

Backrest



### 12. backrest assembly

Fix the backrest (one for left side, and another one for right side.) Into the holes on rear of vehicle body

## 7. How To Operation The Vehicle

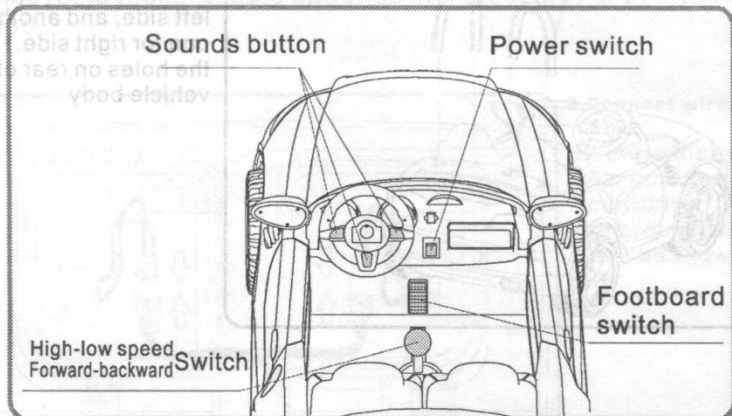
Must confirm before using that following work which is already finished:

- Finishing the completed car to assemble according to the steps that the manual describes. The plug-in package of storage battery has already been inserted well, the power has already been put through.
- All places to need the screw guarantee the screw has already been locked.
- Teach appropriate safety rules to your child before allowing operation of this vehicle. These rules should also be reviewed with neighborhood children or other playmates who want to drive this vehicle.

To reduce the risk of injury:

- Always wear a helmet when riding.
- Direct Adult Supervision Required.
- Always sit on the seat.
- Always Wears shoes.
- Never allow more than ----- rider(s).
- Keep Children within Safe Riding Areas:  
Never use in roadway, near motor vehicles, on or near steep inclines or steps, swimming pools or other bodies of water;
- Use the toy only on flat surfaces. such as inside your house, garden or playground.
- Never use in the dark. A child could encounter unexpected obstacles and have an accident. Operate the vehicle only in the daytime or a well-lit area.
- This vehicle has adjustable play seat belts. please instruct children how to tie the safety belt before using, guarantee the security.

Use operation (consult the function sketch map of completed vehicle)





## FORWARD

1. Open the power switch
2. Press the "High-low speed Forward-backward Switch" on "middle" or "front" position.
3. Press the footboard.
4. The vehicle drives forward.



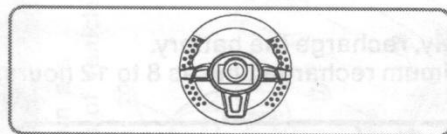
## STOP

1. When unclasp the footboard, the vehicle stop moving.



## BACKWARD

1. Open the power switch
2. Press the "High-low speed Forward-backward Switch" on "back" position.
3. Press the footboard.
4. The vehicle drives backward.



## SOUNDS BUTTON

1. Press the buttons on the steering wheel for sound playing.

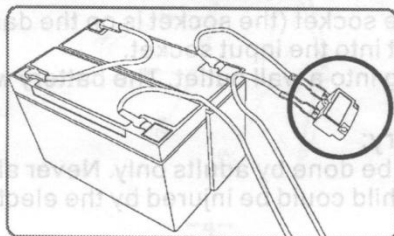
## NOTICE:

- Have to instruction child, should unclamp the foot board first while changing the speed or direction ,wait for the vehicle to come down statically and can go on .
- Forbade suddenly varying forward and back in the course of going, otherwise went back to decrease the lines and transmission parts of the ring vehicle, or cause other unexpected emergencel

## 8. Fuse

The vehicle is equipped with a self-resetting fuse. When the vehicle is overloaded or operated incorrectly; the self-resetting fuse will be cut off for 15-20seconds before becoming operational again.

The self-resetting fuse is under the bonnet.



To avoid electric shock, follow these guidelines:

DO NOT overload the vehicle, Maximum weight allowed: 35KG.

DO NOT tow anything behind the vehicle.

DO NOT drive up steep slopes.

DO NOT drive into fixed objects, which may cause the wheels to spin, causing the motor to overheat.

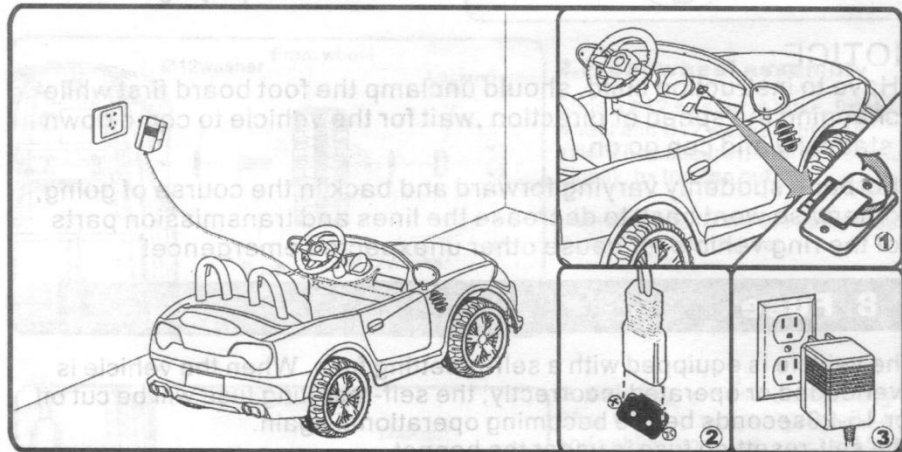
DO NOT drive in very hot weather, components may overheat.

DO NOT allow water or other liquids to come in contact with the battery or other electric components.

DO NOT tamper with the electric system. Doing so may create a short circuit, causing the fuse to trip.

## 9. Charging The Vehicle

- The charging input socket is on the dashboard ,
- Charging must cut off the power.
- Before the first use, you should charge the battery for 8-10 hours. Do not recharge the battery for more than 20 hours to avoid overheating the charger.
- When the vehicle begins to run slowly, recharge the battery.
- After each use or once a month minimum recharge time as 8 to 12 hours, Less than 20 hours at most.



1 Open the cover of the socket (the socket is on the dashboard).

2 Plug the charger port into the input socket.

3 Plug the charger plug into a wall outlet. The battery will begin charging.

To recharge the battery:

- Battery charging must be done by adults only. Never allow children to charge the battery. A child could be injured by the electricity involved in charging the battery.

- Do not short circuit the battery.
- The charger and the battery are not a toy. Do not allow children to play with the charger and the battery.
- Only use the battery and charger specified by the manufacturer.
- Do not mix different types of batteries. Do not mix old and new battery.
- Do not open the battery and charger.
- Always secure the battery with the bracket. Battery can fall out and injure a child if vehicle tips over,
- The battery must be handled by adults only. The battery is heavy and contains sulfuric acid (electrolyte). Dropping the battery could result in serious injury.
- Do not allow the battery to drain completely, recharge the battery after each use or once a month if not use d regularly.
- Before charging the battery check for wear or damage to the battery, charge, the connectors and other parts. If any damage is found, charger should be repaired or replaced immediately. Do not use a damaged charger.
- It is normal for the adaptor to feel warm during charging, but if the charger feels very hot, stop charging and check the battery and adaptor.

## 10. Trouble Shooting Guide

Problem	Possible Cause
(1). The 6-Volt battery Will not recharge	<ol style="list-style-type: none"> <li>1. Motor connector or adapter connector is loose. Make sure the motor connector and the adapter connector is firmly plugged.</li> <li>2. The 6-volt battery will not recharge. Make sure the charger is plugged into a 240 V wall outlet and the power flow to the outlet is on.</li> <li>3. Charger is not plugged in. Make sure the charger is plugged into a 240V wall outlet and the power flow to the outlet is on.</li> <li>4. Check and replace fuse if necessary</li> </ol>
(2). The vehicle does not run	<ol style="list-style-type: none"> <li>1. The battery may be low on power. After each use, or once a month minimum, charge the battery for a "full" 10 hours. DO NOT leave the battery on the charger for more than 20 hours.</li> <li>2. Thermal fuse has tripped. Replace the tripped fuse by another spare one.</li> </ol>



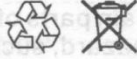
<p>(2). The vehicle does not run</p>	<ol style="list-style-type: none"> <li>3. Wheel nuts are loose. Tighten the wheel nuts with a wrench.</li> <li>4. Motor connector or wires are loose. Make sure the motor connector is firmly plugged into the battery.</li> <li>5. Battery is dead. Have you properly maintained the battery according to the directions? Is the battery old? Your battery may need to be replaced.</li> <li>6. Electrical system is damaged. Water may have corroded the system, or loose dirt, gravel or sand might have jammed the switch. Check.</li> <li>7. Motor is damaged. The vehicle needs professional repair.</li> </ol>
<p>(3). The vehicle does not run very long.</p>	<ol style="list-style-type: none"> <li>1. Battery may be undercharged. You may not be charging the battery long enough. After each use, or once a month minimum, charge the battery for a "full" 10 hours. DO NOT leave the battery on the charger for more than 20 hours.</li> <li>2. Battery is old. The 6-volt battery will eventually lose the ability to hold a charge. Depending on the amount of use, and varying conditions, the battery should operate for one to three years. Replace the battery with a new 6-volt battery.</li> </ol>
<p>(4). Battery buzzes or gurgles when charging.</p>	<ol style="list-style-type: none"> <li>1. This is normal and not a cause for concern. It may also be silent when charging, which is also normal.</li> </ol>
<p>(5). The vehicle runs sluggishly or beeping occurs.</p>	<ol style="list-style-type: none"> <li>1. Battery needs recharging. After each use, or once a month minimum, charge the battery for a "full" 10 hours. DO NOT leave the battery on the charger for more than 20 hours. Low battery signal will sound when the battery is running low on power.</li> <li>2. Battery is old. The 6-volt battery will eventually lose the ability to hold a charge. Depending on the amount of use, and varying conditions, the battery should operate for one to three years. Replace the battery with a new 6-volt battery.</li> <li>3. Vehicle is overloaded. Maximum weight is 30 kg. DO NOT overload the vehicle. DO NOT tow anything behind the vehicle. ONLY one rider at a time.</li> </ol>

## 11. Maintaining Your Vehicle

- It is parents' responsibility to check main parts of the toy before using. Must regularly examine for potential hazard, such as the battery, charge, cable or cord, plug, screws are fastening enclosure of other parts and that in the event of such damage, the toy must not be until that damage had been properly removed.
- Occasionally use a lightweight oil to lubricate moving parts such as wheels and the steering linkages.
- Keep the toy in a upturned direction, do not overturn or incline it. Park the vehicle indoors or cover it with a tarp to protect it from wet weather.
- This toy should be kept away from fire. Keep the vehicle away from sources of heat, such as stoves and heaters. Plastic parts may melt. While charging, must far leave flammable articles, prevent fire from occurring.
- **ADULTS ONLY:** recharge the battery after each use. Recharge the battery at least once a month when the vehicle is not being used.
- The vehicle can be wiped down with a soft, dry cloth.
- **DO NOT** use chemical liquid to clean the plastic surface of the toy.
- **DO NOT** wash the vehicle with soap and water.
- **DO NOT** drive the vehicle in rainy or snowy weather. Water will damage the motor, electric system and battery.
- When not using, all the electrical source should be cut off. all switch press to "stop" or "imprison".
- Please do not change the structure of this product and circuit system by yourself. It must go on under the guidance of technical staff or by professional personnel to maintain.
- Do not use the toy for other purpose except riding.

## 12. Disposal Of Battery

### Disposal of Battery



- Your sealed lead-acid battery must be recycled or disposed of in an environmentally sound manner.
- Do not dispose of your lead-acid battery in a fire. The battery may explode or leak.
- Do not dispose of a lead-acid battery in your regular, household trash. The incineration, land filling or mixing of sealed lead-acid batteries with household trash is prohibited by law.
- Return an exhausted battery to your local approved lead-acid battery recycle, such as a local seller of automotive batteries.
- Contact your local waste management officials for other information regarding the environmentally sound recycling and disposal of lead-acid batteries.